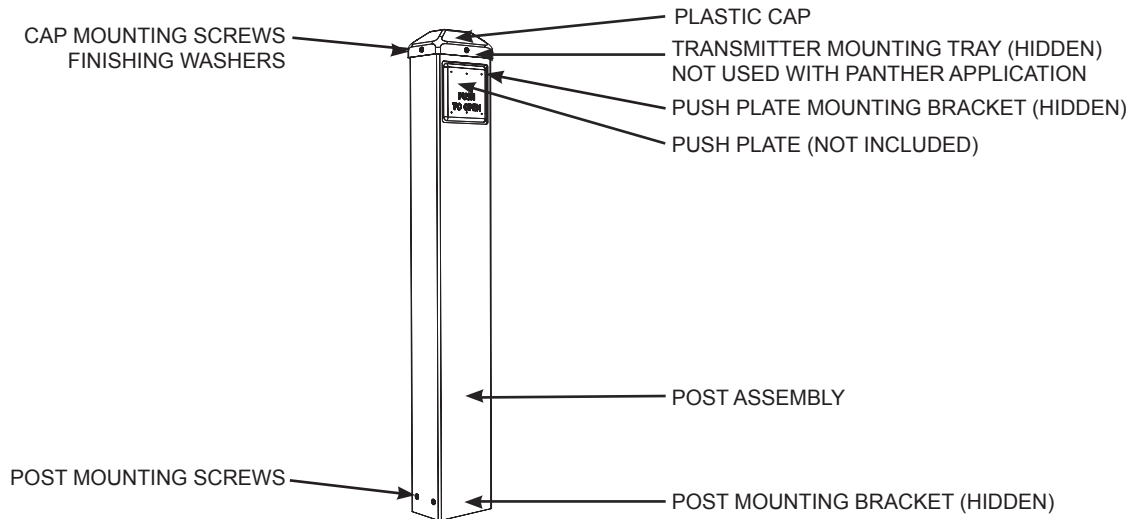


1 Description

The Bollard (Black-2-659-0180, Bronze-2-659-0181 & Silver-2-659-0182) is used for mounting push plates that activate automatic doors. It will accept Hager's 4.5" Square Push Plate, Dual Vestibule Push Plate and 4.5" Round Push Plate. The post is made of durable carbon steel and the mounting bracket is made of stainless steel for strength. It can be mounted on either existing concrete or newly poured concrete.



2 Specifications

DESCRIPTION	SPECIFICATION
Dimensions (with cap attached)	41 1/2"H x 6 1/4" W x 4 1/4"D
Material • Post • Cap • Bracket	Powder-Coated (Inside and Out) Carbon Steel UV-Resistant ABS Plastic Stainless Steel
Push Plate Options	4.5" Square Push Plate, 4.75" Square Push Plate, Dual Vestibule Push Plate and 4.5" Round Push Plate
Weight	35 lbs (16 kilos)
Color	Black, Bronze, Silver
Hardware (Included)	- Bracket - Cap - Post
	Expansion Anchors (4), Lock Washers (4) & Nuts (4) Screws (3) & Finishing Washers (3) Screws (4)

3 Precautions



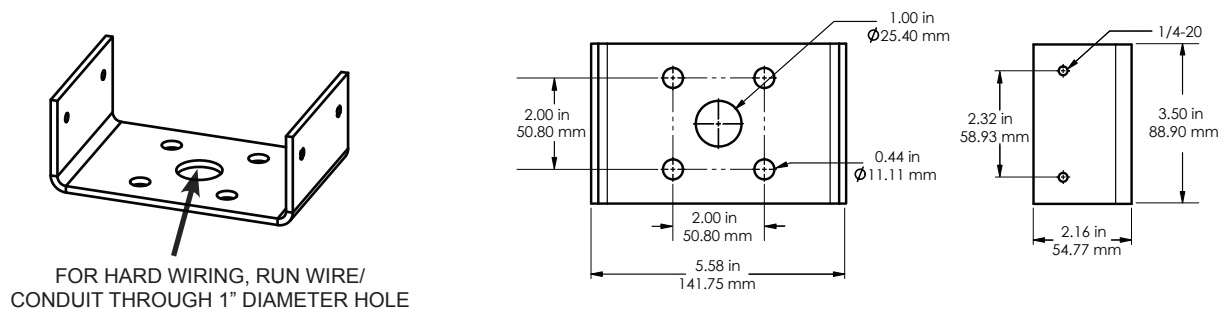
- Shut off all power before attempting any wiring procedures.
- Maintain a clean & safe environment when working in public areas.
- Constantly be aware of pedestrian traffic around the door area.
- Always stop pedestrian traffic through the doorway when performing tests that may result in unexpected reactions by the door.
- Always check placement of all wiring before powering up to insure moving door parts will not catch any wires and cause damage to equipment.
- If applicable, ensure compliance with all applicable safety standards (i.e. ANSI A156.19 / A156.10) upon completion of installation.
- DO NOT attempt any internal repair of the sensor. All repairs and/or component replacements must be performed by Hager Companies. Unauthorized disassembly or repair:
 1. May jeopardize personal safety and may expose one to the risk of electrical shock.
 2. May adversely affect the safe and reliable performance of the product resulting in a voided warranty.

4 Pre Installation Check

- When preparing to wire multiple devices together for a 'system' configuration, it is best to ensure the correct operation of each device independently before starting to help reduce troubleshooting time later in the event of a discrepancy.
- Prior to installing any equipment, ensure correct line voltage and stability. When applying equipment on a new installation utilizing new electrical supply circuits, always ensure correct line voltage exists and is stable. Remember to shut the power back off after this is checked and before performing any wiring to the system.

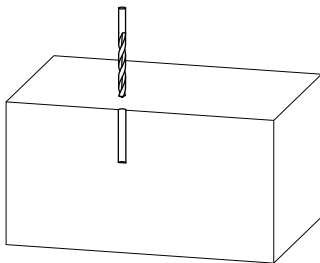
5 Installation

1 Mounting Bracket

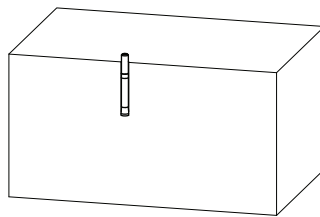


- The Bollard is designed to house a push plate used to activate a door by either a remote controlled transmitter or hard wired directly to the door control. If the door is hard wired, pass the wire through the 1 inch diameter hole in the mounting bracket.

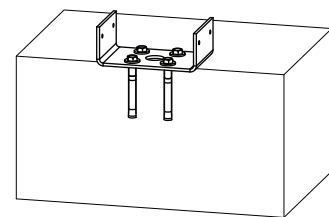
2 Attach Mounting Bracket (Expansion Anchors)



- Mark and drill 3/8" diameter hole in four locations.

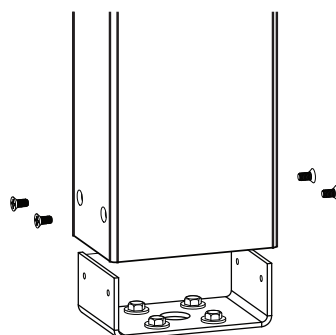


- Hammer in and set anchor in four hole locations.



- Install and tighten nuts to secure mounting bracket.

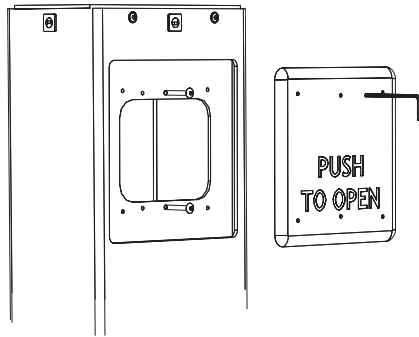
3 Attach Post to Mounting Bracket



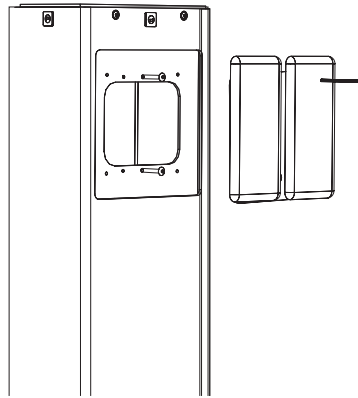
- Align post to mounting bracket and attach post to mounting bracket with four post mounting screws.

5 Installation (Continued)

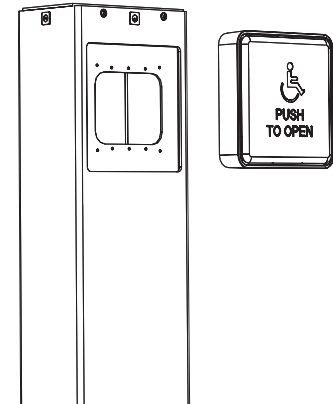
4 Install Push Plate



PUSH PLATE INSTALLATION



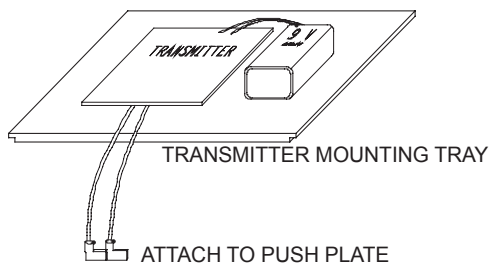
DUAL PUSH PLATE INSTALLATION



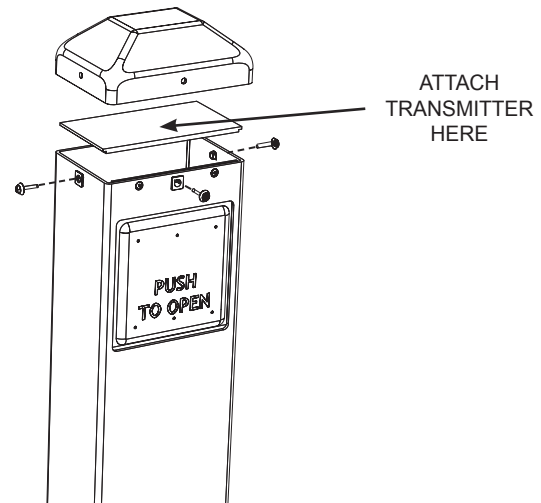
SURFACE PUSH PLATE INSTALLATION

1. Thread the push plate screws into the mounting box leaving a majority of the screw exposed. Attach the push plate to the mounting screws, then use the hex key provided to fully tighten the screws. Refer to the appropriate Push Plate User's Guide for detailed installation and setup instructions.

5 Attach Transmitter



NOTE: PANTHER PUSH PLATES DO NOT REQUIRE A TRANSMITTER.



CAUTION: IF THE TRANSMITTER IS ALLOWED TO HANG DOWN INSIDE THE BOLLARD, ERRATIC OPERATION MAY OCCUR.

1. If using the transmitter for this application, attach transmitter to mounting tray with velcro pad included in the package. Hardwired systems do not require this step.
2. Attach plastic cap to top of the post with three cap mounting screws. Tighten screws with hex key included in the push plate package.